

OMNIDIRECTIONAL INKJET PRINTER BY



*Compact, economical and versatile systems,
the TZ and PR inkjet printers are able to print in any direction to meet your
every coding and marking needs !*



THE MOST FLEXIBLE SYSTEM

SIDE, TOP, DOWN or WITH AN ANGLE ... You mention it !

The TZ and PR printers are the most flexible and versatile systems on the market, being able to MARK IN ANY DIRECTION.

They are also available for both POROUS and NON-POROUS surfaces, to answer to every possible coding and marking need.

EASY TO USE AND TO SERVICE

Not only the printers from this range are easy to use thanks to the INTUITIVE CODEX INTERFACE, but they are also EASY TO SERVICE.

Thanks to their simple yet reliable design, problems are easily solved. Moreover, the 72mm PR systems has been especially developed to help technicians on their job: VALVE CLOSING THE HYDRAULIC SYSTEM, REMOVABLE COVER ...



TZ·PR SERIES

	TZ18	TZ34	PR72-35PL	PR72-80PL
SPECIFICATIONS D'IMPRESSION				
Print Band	18mm	34mm	72mm	
Resolution	90-360 Dpi (Verticale) - Dépendant on print density and speed			
Maximum print Speed	42m/min	42m/min	60m/min	38m/min
Drop size (1)	80pL	80pL	35pL	80pL
Printing Frequency	4,8 kHz	4,8 Khz	7,1 Khz	4,3 Khz
Distance of lower point from base	14mm	14mm	34mm	34 mm
Print distance	For optimum quality, up to 0,7 cm from substrate			
Print Head orientation	Ominidirectional printing (side, top, down, with an angle, etc)			
Substrates	Porous (oil-based inks) - Non-porous (solvent-based inks)			
SPECIFICATIONS MESSAGE				
Fonts	True Type - Open Type			
Effects	Size, Orientation, Mirror, Negative Image			
Characters size	From 0,7 to 18 mm	From 0,7 to 34 mm	From 0,7 to 72 mm	
Variable data	In real time date (hours, minutes, seconds, month and year - formats can be customised) / Pre or post date / Data coming from external communication devices / Batch and serial numbers, shifts, counters, etc.			
Barcodes	ITF type, ITF14, UPC-A, EAN8, EAN13, EAN128, Code128, Code39, DM GS1, RSS-14, Codabar, RSS-EX, Datamatrix, QR Codes			
Graphic formats supported	All			
SPECIFICATIONS MACHINE				
Weight (2)	4,6 Kgs	4,7 Kgs	5,6 Kgs	5,6Kgs
Housing	Boitier en acier inoxydable			
Operating environment	De 5 à 45°C - Humidité de 0 à 90% (sans condensation)			
Ink system	High capacity ink reservoir 250 or 600mL ink bottles - Easy clean and secured ink replacement with no production stop			
Characteristics	prime button and ink low built-in			
Maintenance	Small head for easy integration	Small head for easy integration - Removable cover for easy service		
	Supplied with umbilical cable (1m / 1,5m as an option) and mounting accessories			
	Low level of maintenance - service by local teams (authorized distributors)			

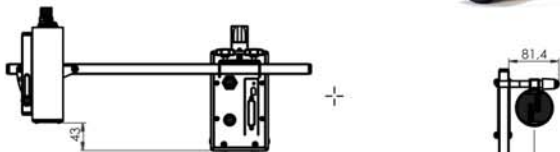
(1) Maximum print speed for a resolution of 180 Dpi

(2) See dimensions of the machines below

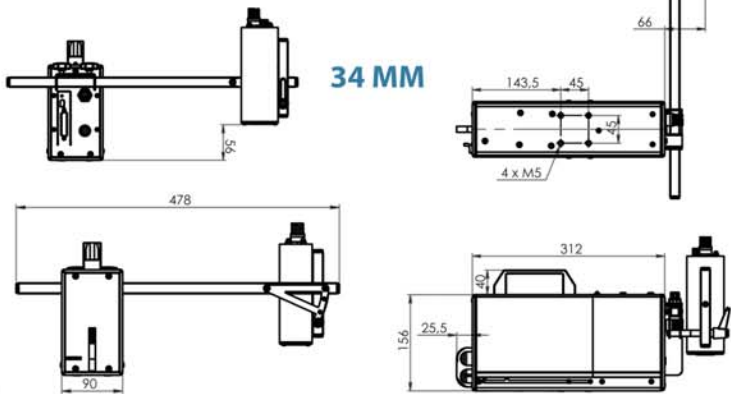
DIMENSIONS

TZ18 & 34 MM

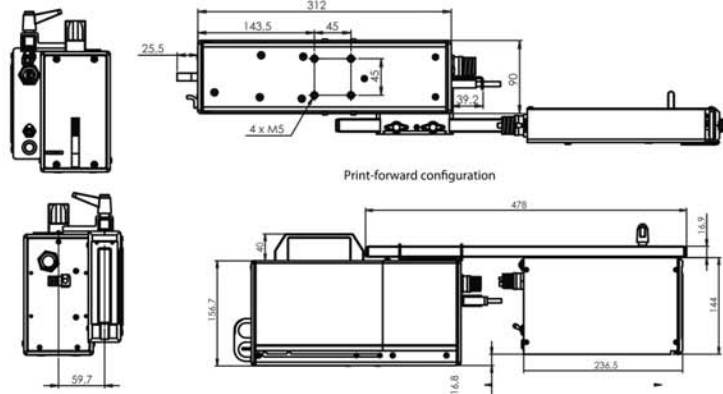
18 MM



34 MM



PR 72 MM



DE KONINGH

CODING & LABELING

Geograaf 8, 6921 EW Duiven
Postbus 137, 6920 AC Duiven

T +31 (0)26 741 00 00
E info@dekoningh.nl
W www.dekoningh.nl