

BASIC TOTAL 100

The BASIC TOTAL 100 labelling equipment masterfully combines simplicity and efficiency in a single machine. It is perfect to label cylindrical products in low or medium productions.

Technical features:

- **Máx. label reel width: 125 mm/205 mm**
- Max. label reel diameter: 300 mm
- Label reel inside diameter: 76 mm
- Power supply: 230 V, 50 Hz
- Power consumption: 1000 W
- Certification: C.E.



General features:

- Compact, low-energy consumption and high accuracy
- Touch sensitive buttons and high luminosity
- Synchronised speeds
- End reel control
- Missing label on the roll control
- Label counter

Options:

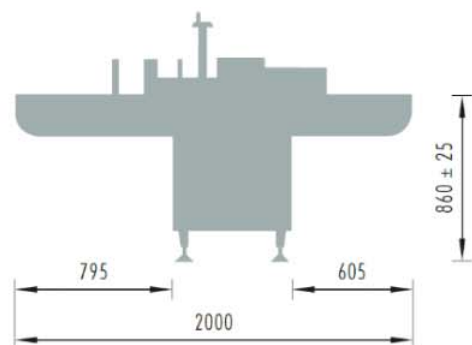
- Hot foil coder (perfect for 'batch/exp')
- Transparent label detector
- Scroll distancer
- Infeed/output products accumulation control



Product to be labelled:

- Format: cylindrical
- Diameter: minimum 15 mm, maximum 100 mm
- Height: from 15 mm
- Label position: one side

* Standard machine. Please enquire for any other option.



BASIC TOTAL 200

BASIC TOTAL 200 goes a step further than its precursor and incorporates the possibility to label in a wraparound way. For that purpose it integrates rollers that will stop the product's advance and label it while it rotates.

General features:

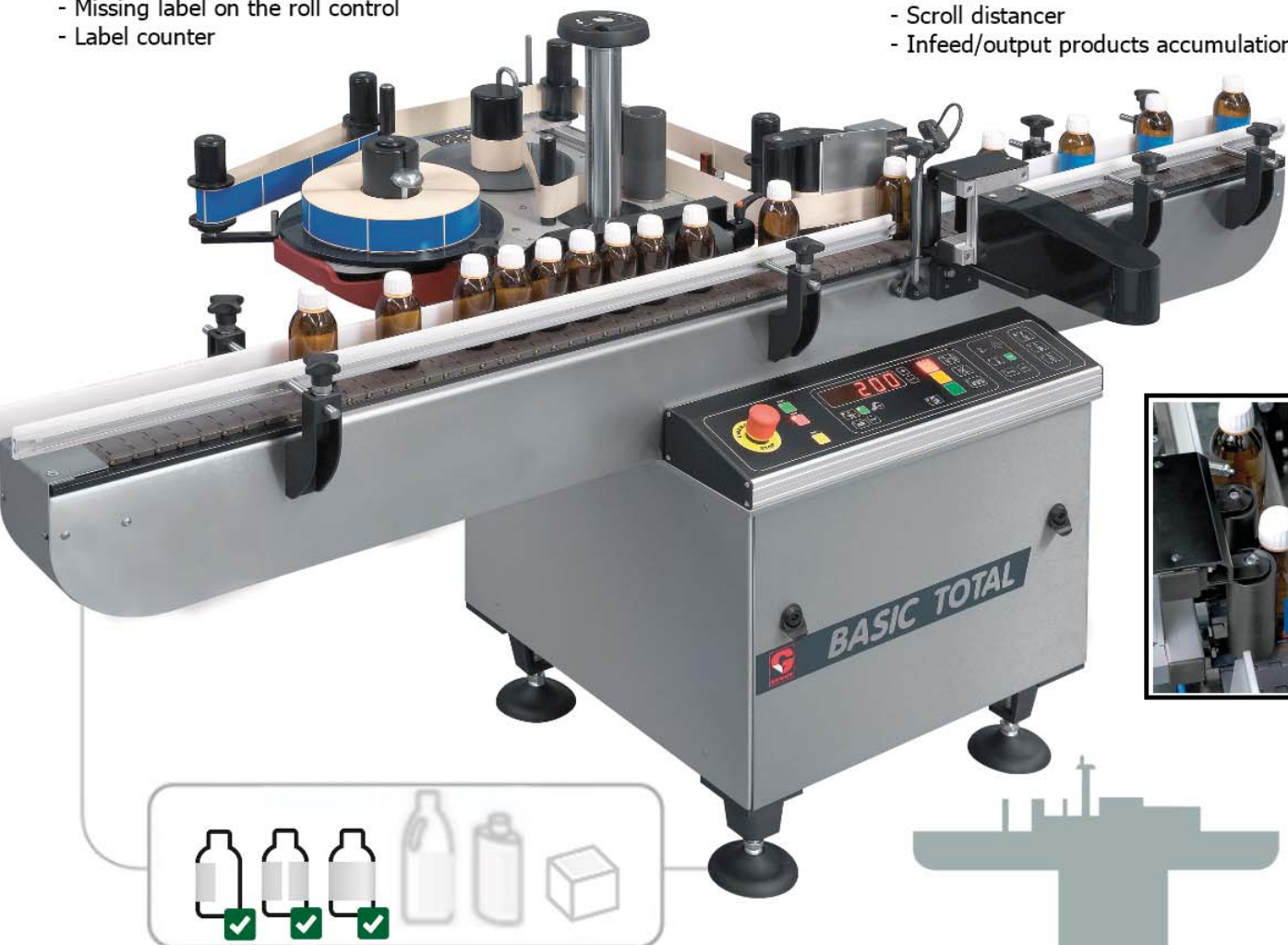
- Compact, low-energy consumption and high accuracy
- Touch sensitive buttons and high luminosity
- Synchronised speeds
- End reel control
- Missing label on the roll control
- Label counter

Technical features:

- **Máx. label reel width: 125 mm/205 mm**
- Max. label reel diameter: 300 mm
- Label reel inside diameter: 76 mm
- Power supply: 230 V, 50 Hz
- Power consumption: 1000 W
- Certification: C.E.

Options:

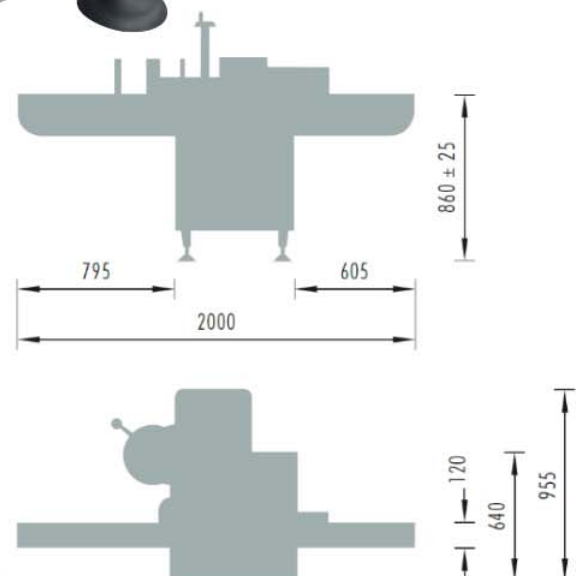
- Hot foil coder (perfect for 'batch/exp')
- Transparent label detector
- Scroll distancer
- Infeed/output products accumulation control



Product to be labelled:

- Format: cylindrical
- Diameter: minimum 15 mm, maximum 100 mm
- Height: from 15 mm
- Label position: one side, two sides, wraparound

* Standard machine. Please enquire for any other option.



BASIC TOTAL 300

BASIC TOTAL 300 is the biggest of the family. It stands out because of its large-scale work, being able to label stopped or ongoing products.

General features:

- Compact, low-energy consumption and high accuracy
- Touch sensitive buttons and high luminosity
- Synchronised speeds
- End reel control
- Missing label on the roll control
- Label counter

Technical features:

- **Máx. label reel width: 125 mm/205 mm**
- Max. label reel diameter: 300 mm
- Label reel inside diameter: 76 mm
- Power supply: 230 V, 50 Hz
- Power consumption: 1000 W
- Certification: C.E.

Options:

- Hot foil coder (perfect for 'batch/exp')
- Transparent label detector
- Scroll distancer
- Infeed/output products accumulation control



Product to be labelled:

- Format: cylindrical
- Diameter: minimum 15 mm, maximum 100 mm
- Height: from 15 mm
- Label position: one side, two sides, wraparound positioned in relation to the product

* Standard machine. Please enquire for any other option.

