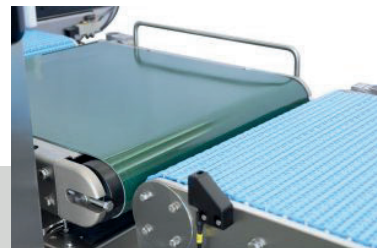
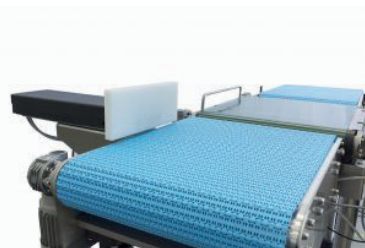


Checkweigher BW series

Technical Information

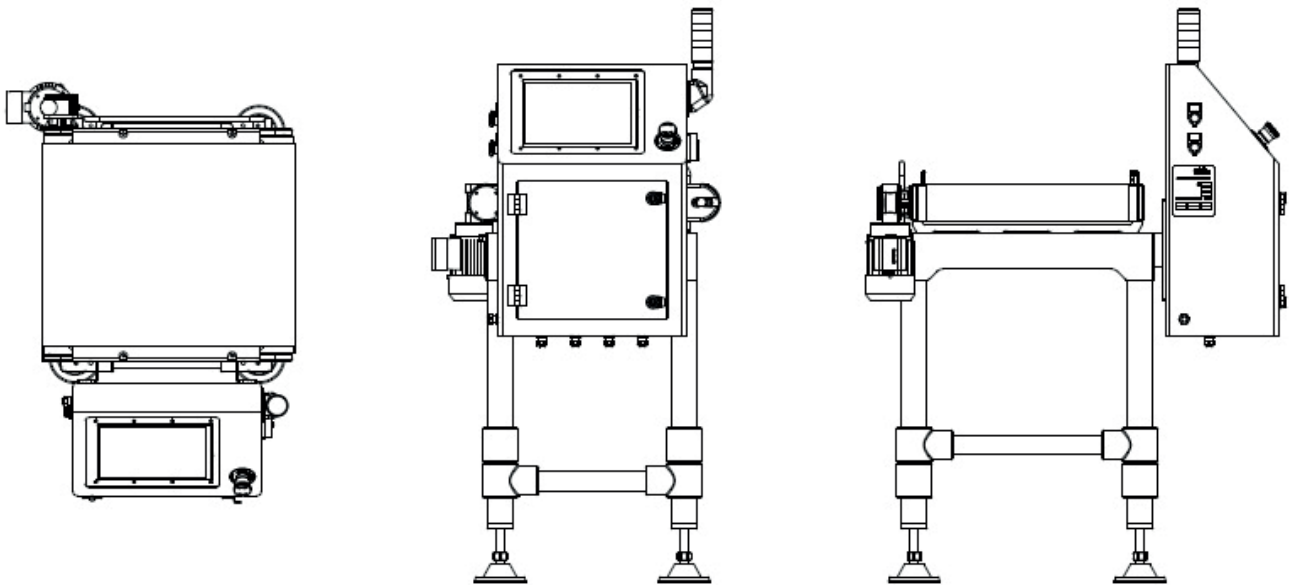


Heavy load Checkweigher of end-of-line BW25/30/50 NT

Checkweigher for end-of-the line applications, to control the weight and the completeness check of boxes, bags, crates and wrapped package. Sturdy unit, perfect to work in heavy loads, of big dimensions and in harsh environments. Weight detector through single and double load cells, to increase the stability and the efficiency. Available on multi-level spaced belts and ejection groups. Available solutions with either conveyor belts and modular chain conveyors. It has a touch-screen operator interface, remote assistance modules and password management multi-level.

TECHNICAL FEATURES

- **Control panel:** colour touch-screen 12"
- **Electronic Data processing:** RISC Embedded FPGA
- **Self-learning Systema and Calibratin:** Included
- **Data Collection Software:** Included through Ethernet e USB
- **Kit for Remote Assistance:** Included
- **Compliance to Industry 4.0 requirements:** compliant to Bidirectional Communicator
- **Conformity:** CE, BRC, IFS, HACCP
- **Belt speed:** up to 40 m/min
- **Maximum speed:** up to 55 ppm
- **Conveyor lenght:** 600-800-1.000 mm
- **Conveyor width:** 485-550 mm
- **Weight range:** up to 25.000-30.000-50.000 g
- **Display Division:** 5 - 10 g
- **Protection degree:** IP65
- **Motorization:** asynchronous gearmotor
- **Structure:** Stainless Steel AISI304
- **Voltage and Power Absorption:** 110/230V AC 50/60Hz, L, N, PE - 500W



DE KONINGH

 **CODING & LABELING**

Geograaf 8 | 6921 EW Duiven | T: +31 (0)26 741 00 00 | info@dekoningh.nl | www.dekoningh.nl