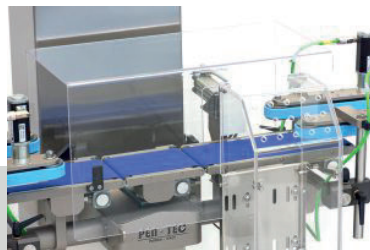
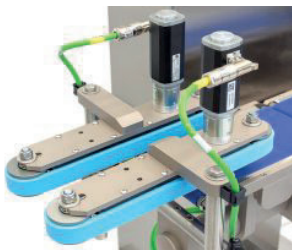


Checkweigher HR 600

Technical Information

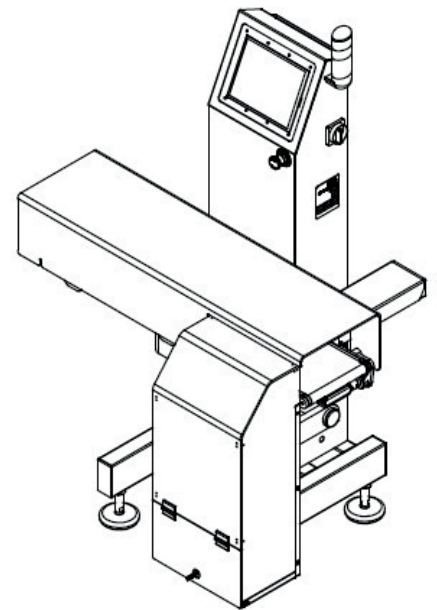
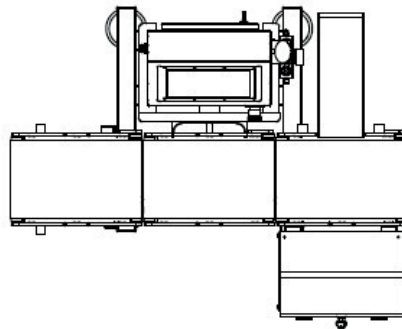
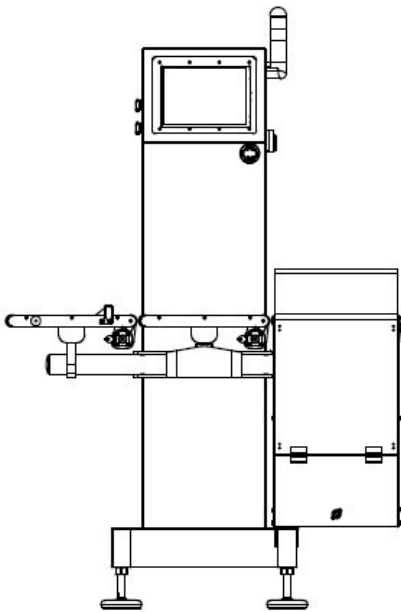


Compact Checkweigher system at high speed and performance

Checkweigher for tiny formats, designed to operate in high speed lines where excellent performances are required. Configured to operate with light products where great ability of weight reading is required. The use of high level components guarantees a linear, constant and repetitive acquisition. Self-calibration, touch-screen, multi-level access management with password, brushless motors, data collection software and bidirectional management: the checkweigher is composed of accessories that make it usable, effective and durable.

TECHNICAL FEATURES

- **Control panel:** colour touch-screen 12"
- **Electronic Data processing:** RISC Embedded FPGA
- **Self-learning System and Calibration:** Included
- **Data Collection Software:** Included through Ethernet and USB
- **Kit for Remote Assistance:** Included
- **Compliance Industry 4.0 requirements:** compliant to Bidirectional Communicator
- **Conformity:** CE, MID, BRC, IFS, HACCP
- **Belt speed:** up to 90m/min
- **Maximum speed:** up to 450 ppm
- **Conveyor length:** 200 - 250 - 300 - 400 - 500 - 600 mm
- **Conveyor width:** 140 - 240 mm
- **Weight range:** up to 600 g
- **Display Division:** 0,1 - 0,2 - 0,5 g
- **Protection degree:** IP65
- **Motorization:** Brushless with planetary gearboxes
- **Structure:** Stainless Steel AISI304
- **Voltage and Power absorption:** 110/230V AC 50/60Hz, L, N, PE - 500W



DE KONINGH

 **CODING & LABELING**

Geograaf 8 | 6921 EW Duiven | T: +31 (0)26 741 00 00 | info@dekonigh.nl | www.dekonigh.nl