

Checkweigher SR 1200

Technical Information

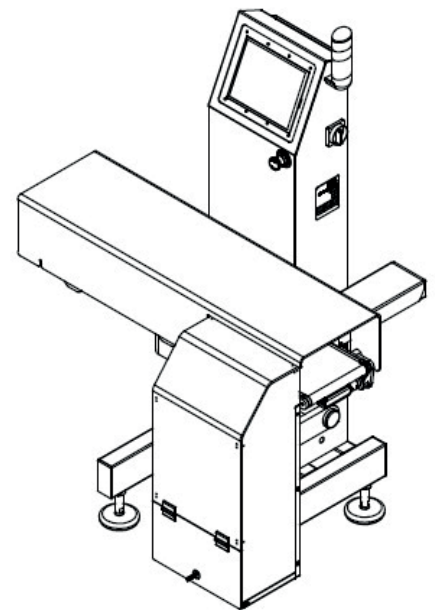
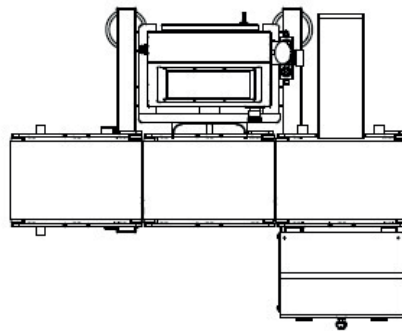
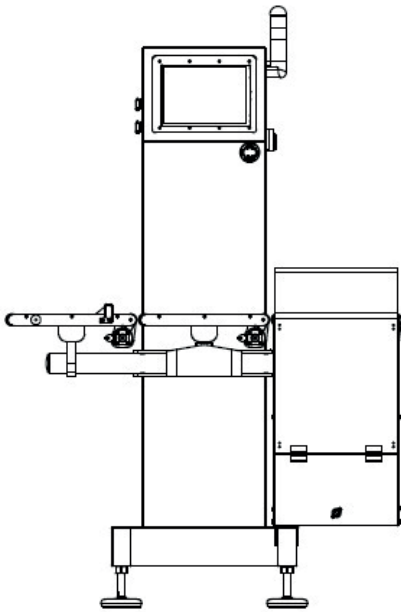


Flexible, versatile and high capacity checkweigher

Checkweigher for tiny and medium formats, designed to operate in lines where the flexibility and efficiency make the difference. The modular configurations at its disposal allow to manage the different needs of the food industry and not only. The series SR-1200 is made with components of high technology value, such as: brushless motors, planetary gearboxes, rollers with power transmission without pulleys. The structural elements made of stainless steel, with hi-tech finishes, guarantee a high degree of protection and considerable durability over time, even in particularly harsh environments.

TECHNICAL FEATURES

- **Control panel:** colourtouch-screen 12"
- **Electroning Data processing:** RISC Embedded FPGA
- **Self-learning System and Calibration:** Included
- **Data Collection Software:** Included through Ethernet and USB
- **Kit for Remote Assistance:** Included
- **Compliance Industry 4.0 requirements:** compliant to bidirectional Communicator
- **Conformity:** CE, MID, BRC, IFS, HACCP
- **Belt speed:** up to 75 m/min
- **Maximum speed:** up to 360 ppm
- **Conveyor lenght:** 200-250-300-400-500-600 mm
- **Conveyor width:** 140-240 mm
- **Weight range:** up to 1.200 g
- **Display Division:** 0,5 g
- **Protection degree:** IP65
- **Motorization:** Brushless with epicyclic gearboxeswith
- **Structure:** Stainless Steel AISI304
- **Voltage and Power absorption:** 110/230V AC 50/60Hz, L, N, PE - 500W



DE KONINGH

 **CODING & LABELING**

Geograaf 8 | 6921 EW Duiven | T: +31 (0)26 741 00 00 | info@dekoningh.nl | www.dekoningh.nl