

WHY

METAL DETECTOR

HIGH PERFORMANCE

- MANAGEMENT AND DIGITAL PROCESSING OF THE SIGNAL
- DSP PROCESSING FILTERS
- HIGH IMMUNITY TO ENVIRONMENTAL INTERFERENCE
- HIGH OPERATING STABILITY
- MULTI-FREQUENCY FUNCTIONALITY
- AUTOMATIC CALIBRATION AND ONE CONTROL PANEL GUIDED AND INTUITIVE

INCREASED PRODUCTIVITY

- 100% OF PRODUCTION INSPECTED AND PROTECTED IN REAL-TIME
- AVOID COMPLAINTS AND RETURNS FROM THE MARKET
- PROTECT THE REPUTATION OF THE BRAND

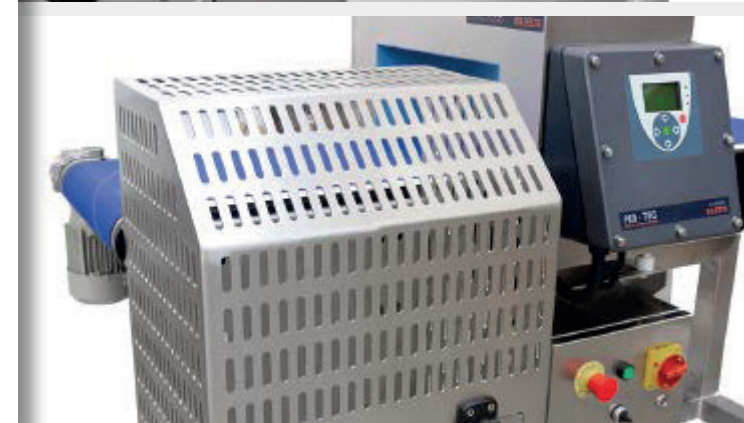
MAXIMUM FLEXIBILITY

- SPECIFIC SOLUTIONS FOR A WIDE RANGE OF APPLICATIONS
 - WITH BELT AND MODULAR CHAIN CONVEYOR
- DIFFERENT REJECTION SYSTEMS AVAILABLE
 - FOR THE PERFECT MANAGEMENT OF BULK PRODUCTS AND VARIOUS TYPES OF PACKAGING
- POSSIBILITY TO INSTALL CONTAINMENT GUIDES ADJUSTABLE IN WIDTH AND HEIGHT

DE KONINGH

 CODING · LABELING · INSPECTION

All rights reserved - Property of FT System s.r.l. - images and products purely demonstrative



METAL DETECTOR

WITH MODULAR CHAIN CONVEYOR



ADVANTAGES

MULTI-FREQUENCY FUNCTIONALITY

- Optimizes the use in the presence of products with uneven physical characteristics
- Allows control in the presence of light metalized wrappers
 - Increasing the production flexibility to the users.

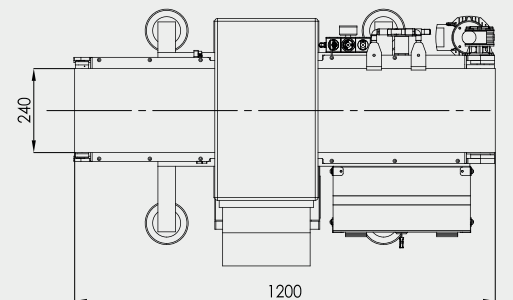
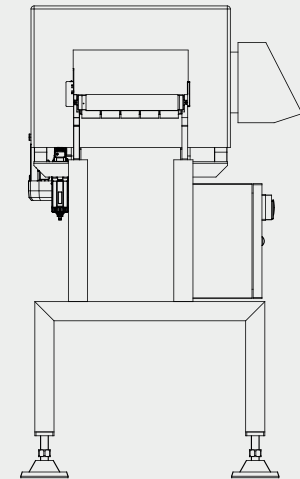
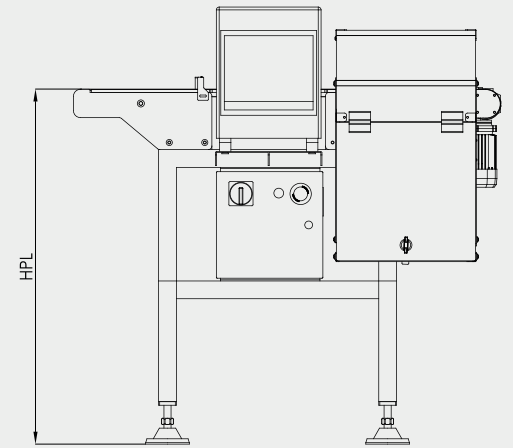
COMPLETE CONFIGURATION

The proposal is completed by a series of accessories such as:

- Interchange signals
- Devices for verifying the occurred ejection connected to the pneumatic ejection groups
- Rejected product collection units, with key opening

CERTIFICATION

There are available compatible versions to the standards set by the greater international system quality certification bodies.



WITH CONVEYOR BELT

SPECIFIC CONFIGURATION FOR BOTTLES AND JARS



INSPECTIONS

- Metal

MARKET



PACKAGED PRODUCTS



BULK PRODUCTS



BOTTLE & JARS

FEATURES

- Configurable design
- Large storage for product recipes
- Product handling systems that can be customized to line needs
- Management of rejection systems
- Conformity: CE, BRC, IFS, HACCP
- Motorization: gearmotor with direct drive on the roller