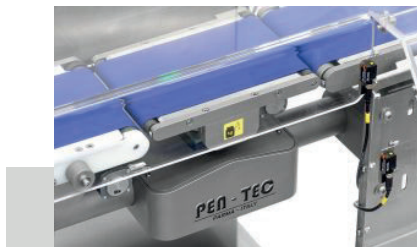


Integrated Metal Detector Checkweigher MHR600C

Technical Information

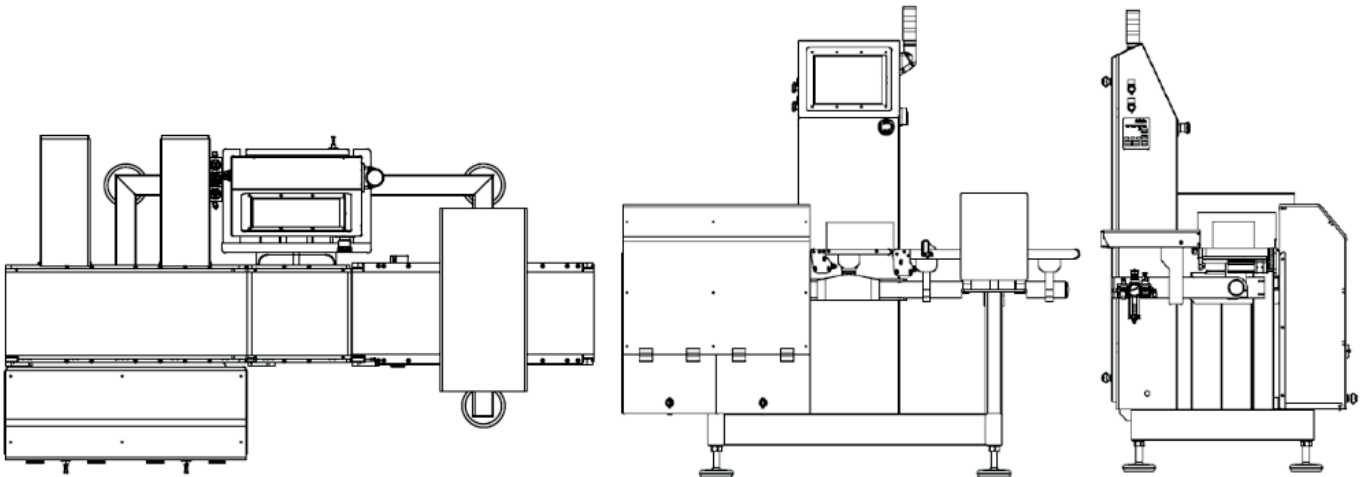


Compact Combi System for small formats, high-speed

An integrated monobloc Metal Detector + Checkweigher unit for small formats. Studied to fit in high-speed lines, where flexibility and efficiency of work are important. The detection of metal bodies is obtained with digital multi-frequency systems, completely automatic in the phases of calibration and management of the product effect. The weighing unit, with metrological certification, it's designed with a high resolution software system able to operate in multi-range. Compliant to Industry 4.0 requirements and to quality certifications.

TECHNICAL FEATURES

- **Control panel:** colour touch-screen 12"
- **Electronic Data processing:** RISC Embedded FPGA
- **Self-learning System and Calibration:** Included
- **Metal Detector:** Multi-frequency, digital, with DSP filters
- **Data Collection Software:** Included through Ethernet and USB
- **Kit for Remote Assistance:** Included
- **Compliance Industry 4.0 requirements:** compliant to Bidirectional Communicator
- **Conformity:** CE, MID, BRC, IFS, HACCP
- **Belt speed:** up to 90 m/min
- **Maximum speed:** up to 450 ppm
- **Conveyor lenght:** from 1.700 to 1.800 mm
- **Conveyor width:** 140 - 240 mm
- **Weight range:** up to 600 g
- **Display Division:** 0,1 - 0,2 - 0,5 g
- **Protection degree:** IP65
- **Motorization:** Brushless with planetary gearboxes
- **Structure:**Stainless Steel AISI304
- **Voltage and Power absorption:** 110/230V AC 50/60Hz, L, N, PE - 500W



DE KONINGH

 **CODING & LABELING**

Geograaf 8 | 6921 EW Duiven | T: +31 (0)26 741 00 00 | info@dekonigh.nl | www.dekonigh.nl