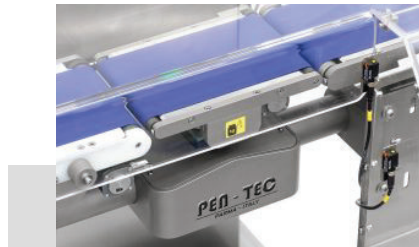
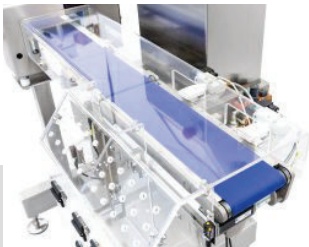


Integrated Metal Detector Checkweigher MHR600UC

Technical Information

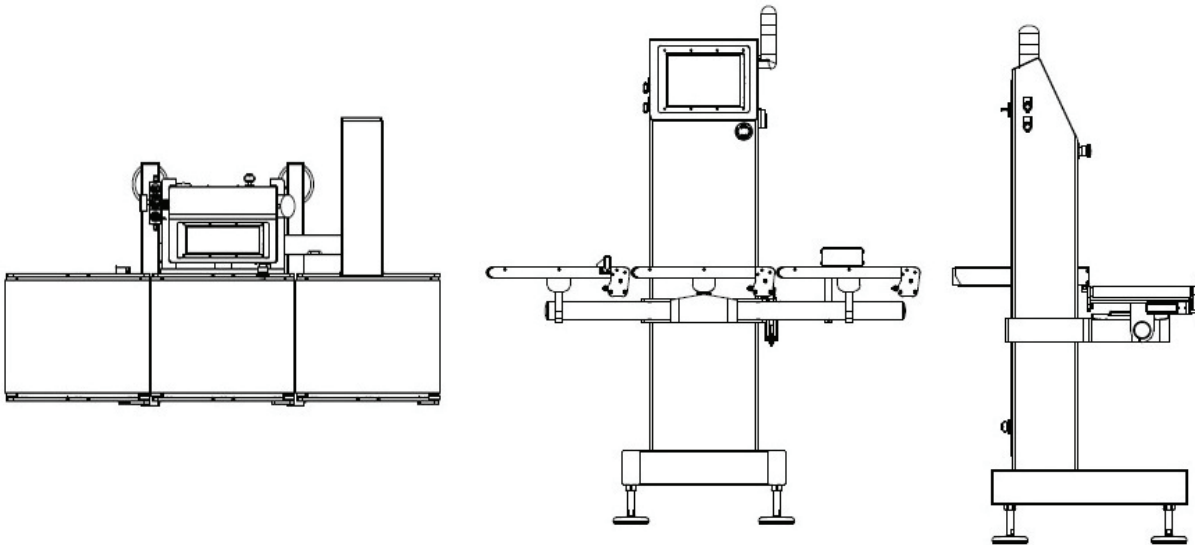


Ultra-compact Combi system high speed and performance

The integrated monobloc Metal Detector+Checkweigher unit series MHR-600/UC is designed to operate in extremely tiny spaces, where high detection performance of metal contaminants and weight must be guaranteed. The weighing group provides a system for the acquisition of high resolution weight which allows full compliance to the most stringent legal metrology requirements, also for extremely light products and high speed production. There are available: interconnection kits for the Industry 4.0, remote assistance modules and management and data collection software.

TECHNICAL FEATURES

- **Control panel:** colour touch-screen 12"
- **Electronic Data processing:** RISC Embedded FPGA
- **Self-learning System and Calibration:** Included
- **Data Collection Software:** Included through Ethernet and USB
- **Kit for Remote Assistance:** Included
- **Compliance Industry 4.0 requirements:** compliant to Bidirectional Communicator
- **Conformity:** CE, MID, BRC, IFS, HACCP
- **Belt speed:** up to 40 m/min
- **Maximum speed:** up to 75 ppm
- **Conveyor length:** 400-500-600-700 mm
- **Conveyor width:** 240-320-350 mm
- **Weight range:** up to 6.000-12.000 g
- **Display Division:** 2 - 5 g
- **Protection degree:** IP65
- **Motorization:** Brushless with epicyclic gearboxes
- **Structure:** Stainless Steel AISI304
- **Voltage and Power absorption:** 110/230V AC 50/60Hz, L, N, PE - 500W



DE KONINGH

 **CODING & LABELING**

Geograaf 8 | 6921 EW Duiven | T: +31 (0)26 741 00 00 | info@dekoningh.nl | www.dekoningh.nl