

Integrated Metal Detector Checkweigher MSR1200C

Technical Information

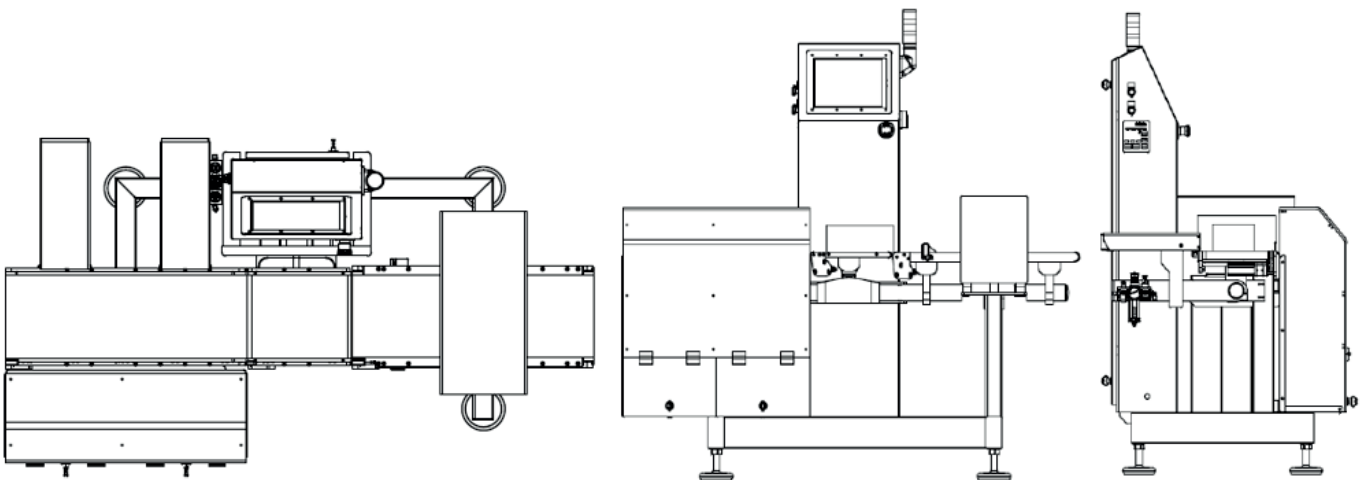


Compact Combi system flexible and high-speed

Integrated monobloc Metal Detector + Checkweigher unit for small/medium formats. The configurations allow flexibility of application for different dimensions, weights and speed of the products, keeping the spaces reduced. The detection of metal bodies is obtained with digital multi-frequency systems, completely automatic in the calibration and management phases of the product effect. The weighing unit, with metrological certification, it's designed in high resolution hardware and software acquisition. Compliant to Industry 4.0 and international quality certifications.

TECHNICAL FEATURES

- **Control panel:** colour touch-screen 12"
- **Electronic Data processing:** RISC Embedded FPGA
- **Self-learning System and Calibration:** Included
- **Metal Detector:** Multi-frequency, digital, with DSP filters
- **Data Collection Software:** Included through Ethernet and USB
- **Kit for Remote Assistance:** Included
- **Compliance Industry 4.0 requirements:** compliant to Bidirectional Communicator
- **Conformity:** CE, MID, BRC, IFS, HACCP
- **Belt speed:** up to 75 m/min
- **Maximum speed:** up to 360 ppm
- **Conveyor lenght:** from 1.700 to 1.800 mm
- **Conveyor width:** 140 - 240 mm
- **Weight range:** up to 1.200 g
- **Display Division:** 0,5 g
- **Protection degree:** IP65
- **Motorization:** Brushless con with planetary gearboxes
- **Structure:**Stainless Steel AISI304
- **Voltage and Power absorption:** 110/230V AC 50/60Hz, L, N, PE - 500W



DE KONINGH

 **CODING & LABELING**

Geograaf 8 | 6921 EW Duiven | T: +31 (0)26 741 00 00 | info@dekonigh.nl | www.dekonigh.nl