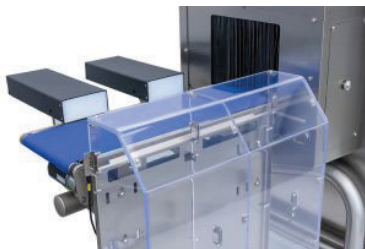


# Integrated X Ray Inspection Checkweigher XSR 1200 EL 300

*Technical Information*

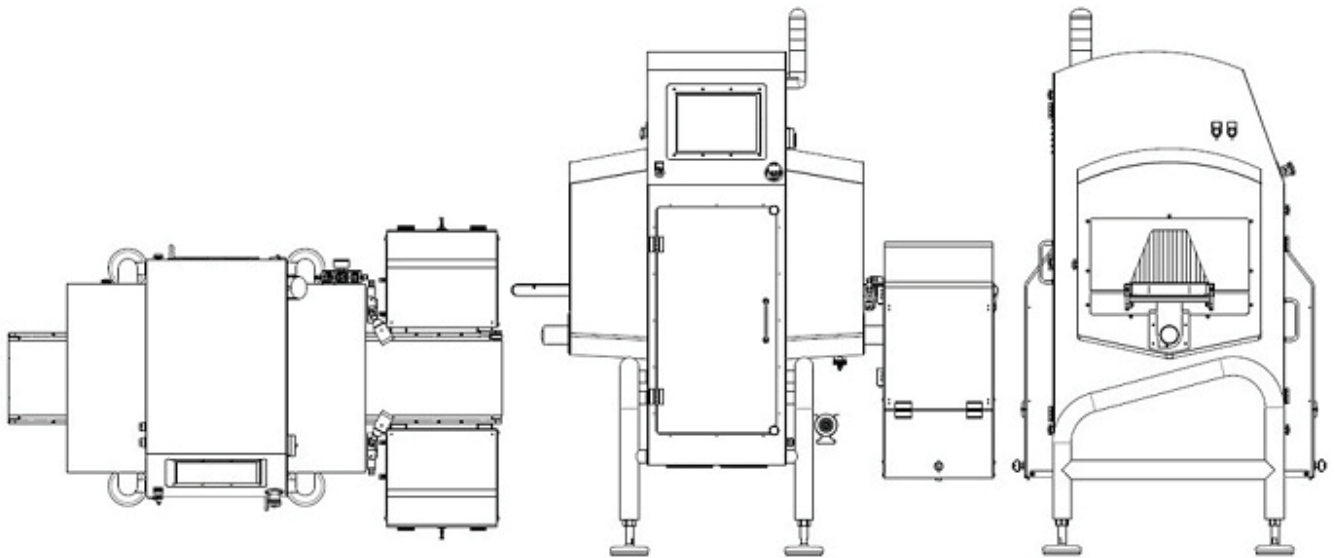


## Compact Combi System for medium formats

Integrated monobloc X-Ray + Checkweigher, compact and efficient unit, easy to manage thanks to a single operator interface. Unbeatable solution to save space and with a competitive price. Optimized into its parts for the exclusive integration of the weighing module inside the X-Ray Inspection. The use of custom components such as sensor and generator, besides to a refined and performing mechanic guarantee total safety to identify foreign dangerous bodies: metals, glass, stones, bones and high-density plastic. Compliant to the metrological requirements and quality certifications.

## TECHNICAL FEATURES

- **Control panel:** colour touch-screen 12"
- **Electronic Data processing:** RISC Embedded FPGA
- **Generator:** latest generation custom made in Italy - up to 100W - electronic and integrated cooling module, free from maintenance
- **Self-learning System and Calibration:** Included
- **Sensor:** RISC Embedded FPGA 300 mm with pixel 0,8 mm
- **Data and Images Collection Software:** Included through Ethernet e USB
- **Kit for Remote Assistance:** Included
- **Compliance Industry 4.0:** compliant to Bidirectional Communicator
- **Conformity:** CE, MID, BRC, IFS, HACCP
- **Belt speed:** up to 70 m/min
- **Maximum speed:** up to 300 ppm
- **Conveyor length:** from 1.550 to 2.050 mm
- **Conveyor width:** 240 mm
- **Weight range:** up to 1.200 g
- **Display Division:** 0,5 g
- **Protection degree:** IP54 - IP65
- **Motorization:** Brushless with planetary gearboxes
- **Structure:**Stainless Steel AISI304
- **Voltage and Power absorption:** 110/230V AC 50/60Hz, L, N, PE - 500W
- **Working temperatures:** standard from +10 to + 35°C (over with chiller opt.)



---

# DE KONINGH

 **CODING & LABELING**

Geograaf 8 | 6921 EW Duiven | T: +31 (0)26 741 00 00 | [info@dekoningh.nl](mailto:info@dekoningh.nl) | [www.dekoningh.nl](http://www.dekoningh.nl)