

Integrated X Ray Inspection Checkweigher XSR 1200 EL 400

Technical Information

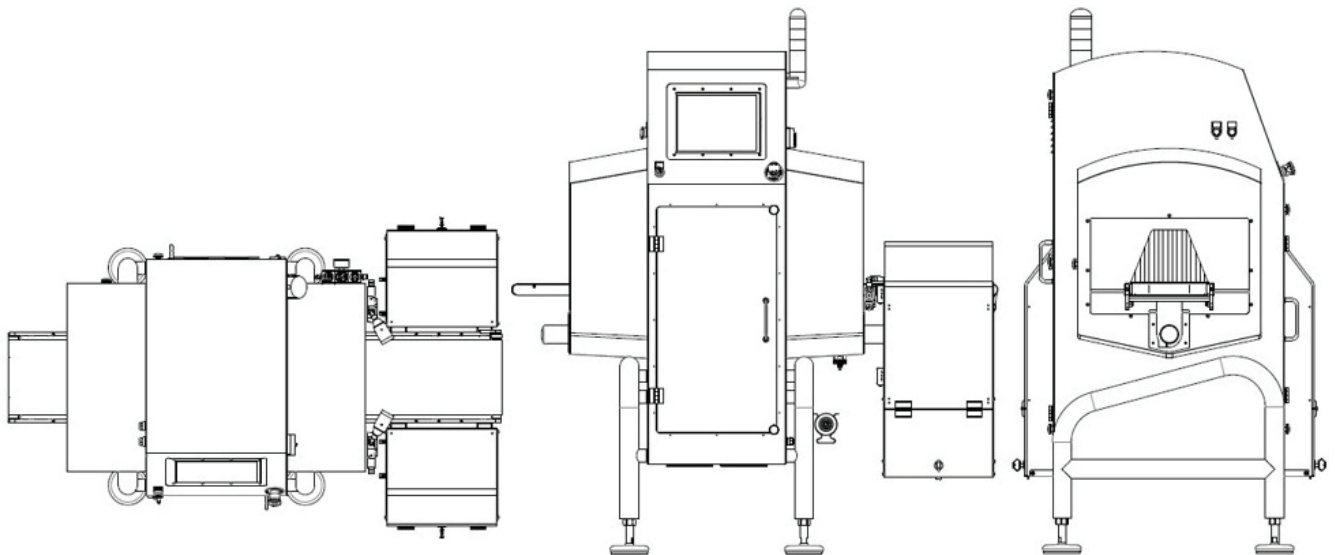


Compact Combi System for medium/big formats

Integrated monobloc X-Ray+Checkweigher. It's a compact solution, efficient and easy to manage thanks to a single operator interface. Unbeatable to save space and with a competitive price. Optimized into its parts thanks to the exclusive integration of the weighing module inside the X-Ray Inspection and to custom components such as: sensor and generator, besides to a refined and performing mechanic. Total safety to identify foreign dangerous bodies: metals, glass, stones, bones and high-density plastic. Compliance to the metrological requirements and quality certifications.

TECHNICAL FEATURES

- **Control panel:** colour touch-screen 12"
- **Electronic Data processing:** RISC Embedded FPGA
- **Generator:** latest generation custom made in Italy - up to 100W - electronic and integrated cooling module, free from maintenance
- **Self-learning System and Calibration:** Included
- **Sensor:** RISC Embedded FPGA 400 mm with pixel 0,8 mm
- **Data and Images Collection Software:** Included through Ethernet and USB
- **Kit for Remote Assistance:** Included
- **Compliance Industry 4.0:** compliant to Bidirectional Communicator
- **Conformity:** CE, MID, BRC, IFS, HACCP
- **Belt speed:** up to 70 m/min
- **Maximum speed:** up to 300 ppm
- **Conveyor length:** from 1.550 to 2.050 mm
- **Conveyor width:** 350 mm
- **Weight range:** up to 1.200 g
- **Display Division:** 0,5 g
- **Protection degree:** IP54 - IP65
- **Motorization:** Brushless with planetary gearboxes
- **Structure:** Stainless Steel AISI304
- **Voltage and Power absorption:** 110/230V AC 50/60Hz, L, N, PE - 500W
- **Working temperatures:** standard from +10 to + 35°C (over with chiller opt.)



DE KONINGH

 **CODING & LABELING**

Geograaf 8 | 6921 EW Duiven | T: +31 (0)26 741 00 00 | info@dekonigh.nl | www.dekonigh.nl