

# DE KONINGH



CODING · LABELING · INSPECTION

Products need labeling

Label printers  
for industrial applications



***XD4T, XC***



## Label printers for industrial applications

They fit with a wide range of applications.

They have been developed with focus on easy and convenient operation and high reliability.

The print mechanics and the chassis are made of high-quality materials and perfectly match in terms of shape and function.

A large number of peripherals and software enable customer-specific solutions.

Whether they are operated in stand-alone mode, in a PC application or within a network – the rugged **A8+** printers and the **X series** are always up to the mark.

### Sample applications

#### Label printer XD4T

Double-sided printing, for example textile labels, shrink tubes and continuous materials



#### Label printers XC4, XC6

Two-color printing, for example warning labels compliant to GHS



## Label printers XC for two-color printing



Two print units are arranged one behind the other to achieve simultaneous printing with two colors on one label.

Ribbon-saver mechanism on one print head

Compliant to the GHS regulations for classification and labeling

Picking up large label rolls with up to 300 mm diameter

Label printer		XC4
Printable resolution	dpi	300
Print speed	up to mm/s	125
Print width	up to mm	105.6



Label printer		XC6
Printable resolution	dpi	300
Print speed	up to mm/s	125
Print width	up to mm	162.6

We gladly assist you in the selection of proper ribbons.

## Accessories



### Cutter CU4

Paper labels, self-adhesive labels, cardboard, textile and plastic materials as well as shrink tubes can be cut.

### Perforation cutter PCU4

In addition, the materials can be perforated before they are manually separated.



### Stacker ST4 L with cutter

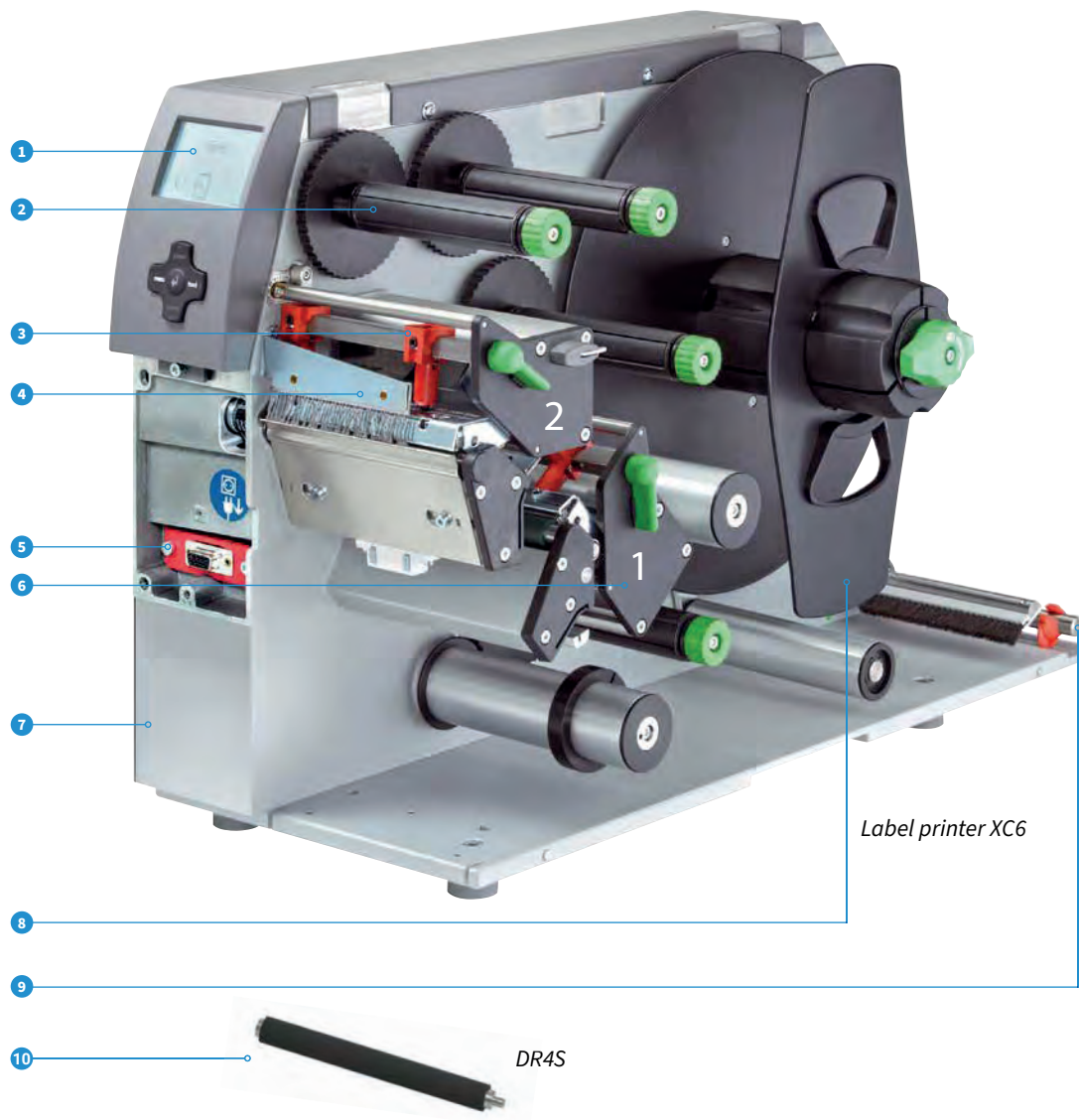
The printed materials are cut and stacked.

If the maximum stack height is reached, printing is interrupted.

Even stiff or curved materials can be processed.

We recommend to have these applications tested at our premise.

## Common details



Label printer XC6

DR4S

### 1 Large graphic display

White backlight provides good readability.

### 2 Ribbon holder

The three-part tightening axles enable the ribbon to be quickly and easily exchanged.

### 3 Plungers

One is fixed at the inner side. The second is adjusted that far to the edge of the label until a good print image is ensured.

### 4 Antistatic brush

Particularly with plastic materials the electrostatic charge is discharged after printing.

### 5 Periphery connection

Additional modules are quick and easy to connect. All peripheral devices are plugged to the printer with the help of two pins and are fixed with a screw.

### 6 Ribbon-saver mechanism on print head 1

to be used with labels that are only partially printed. Within unprinted areas the print head is lifted and the ribbons is stopped during label feed.

### 7 Rugged metal chassis

made of cast aluminum. Basis to assemble all the units

### 8 Roll holder

picking up label rolls up to 300 mm. With the help of the swing lever and the integrated brake labels are unwound with constant tension.

### 9 Fanfold guide

Fanfold labels are set behind the print unit. The guide and the additional brake ensure that they are safely fed to the print mechanics.

### 10 Print roller DR4S

It has an extra long service life at a higher imprint tolerance. Coating: silicone



## Technical data

■ Standard    □ Option

		1.1	1.2	1.3	1.4
<b>Label printer</b>		<b>A8+</b>	<b>XD4T</b>	<b>XC4</b>	<b>XC6</b>
<b>Print head</b>					
Material feed		left-aligned	centered	left-aligned	left-aligned
Printing method		■	■	■	■
Thermal transfer		■	-	-	-
Thermal direct		■	-	-	-
Printable resolution	dpi	300	300	300	300
Print speed	up to mm/s	150	125	125	125
Print width	up to mm	216	105,6	105,6	162,6
<b>Material</b>					
Roll	Paper, cardboard, plastics such as	■	■	■	■
Reel	PET, PE, PP, PI, PVC, PU, acrylate, Tyvec	-	■	-	-
	Pressed shrink tubes	-	■	-	-
	Textile tapes	-	■	■	-
Labels <sup>1)</sup>	Width	46 - 220	10 - 110	20 - 116	46 - 176
	Height	20 - 2,000	20 - 2,000	20 - 2,000	20 - 2,000
	Thickness	0.05 - 0.2	0.05 - 0.8	0.05 - 0.2	0.05 - 0.2
Liner material	Width	50 - 235	10 - 110	24 - 120	50 - 180
Continuous material	Width	50 - 235	4 - 110	-	-
Shrink tubes	Weight (cardboard)	up to g/m <sup>2</sup>	300	300	-
	Width ready-for-use	up to mm	-	110	-
	continuous	mm	-	4 - 85	-
Roll, reel	Thickness	up to mm	-	1.1	-
	Outside diameter	up to mm	205	300	300
	Core diameter	mm	38 - 100	38 - 100	76 - 100
	Winding	outside or inside			
<b>Ribbon<sup>2)</sup></b>					
Ink side		outside or inside			
Roll diameter	up to mm	72			
Core diameter	mm	25			
Variable length	up to m	360			
Width	up to mm	220	114	114	165
<b>Printer sizes and weights</b>					
Width x Height x Depth	mm	352 x 274 x 446	248 x 395 x 554	248 x 395x 554	358 x 395 x 554
Weight	kg	15	21	22	24
<b>Label sensor with position indication</b>					
Gap sensor for		labels, punch marks or print marks in transparent materials and end of material			
Reflective sensor from below or top (option) for		print marks in not transparent materials and end of material			
Distance sensor	to locating edge	mm	5 - 53	-	5 - 53
	from centre to the left	mm	-	0 - 53	-
<b>Electronics</b>					
Processor	32 bit clock rate	MHz	266		
Main storage (RAM)		MB	64		
Data storage (IFFS)		MB Flash	8		
Slot for	CompactFlash Type I		■		
	WLAN card		■		
Battery buffer for real-time clock			■		
Acoustic error signal			■		
<b>Interfaces</b>					
RS232C			■		
USB 2.0 Hi-speed slave to connect a PC			■		
Ethernet 10/100 Mbit/s			LPD, RawIP printing, FTP, DHCP, HTTP, SMTP, SNMP, TIME, Zeroconf, mDNS, SOAP		
RS422/RS485			□		
Periphery connection			■		
WLAN 802.11b/g, WEP/WPA-PSK (TKIP)			□		
2 x USB host for			Service Key, USB memory stick, keyboard, barcode scanner, external operation panel		
<b>Operating data</b>					
Power supply			100 - 240 VAC, 50/60 Hz, PFC		
Power consumption			100-300 W, depending from the type of device		
Temperature / humidity	Operation		+5 - 40°C / 10 - 85 % not condensing		
	Storage		0 - 60°C / 20-80 % not condensing		
	Transport		-25 - 60°C / 20-80 % not condensing		
Approvals			CE, FCC, CB, cULus, CCC		

<sup>1)</sup> Limitations may apply to small labels, thin materials or strong adhesives. Critical applications need to be tested.

<sup>2)</sup> The ribbon should at least correspond with the width of the liner material.

# Technical data

■ Standard □ Option

Operation panel	
	Graphic LCD display Width 60 mm, height 40 mm Four lines of text, approx. 20 characters per line
Buttons / LED	Pause, Feed, Cancel, Menu, Enter 4 x cursor
Setup options	
	Digital or analog clock      Time Device settings              Date Printing parameters        Interfaces Language settings           Security
Status display	
	Data reception              Clock WLAN                          Calendar Ethernet                      abc debug Memory in use                Input buffer Print head temperature    Ribbon remaining Memory card access
Monitoring	
	End of ribbon End of label web Print head open Final cutter position not reched
Test routines	
System diagnostics	when device is switched on, including print head detection
Brief status display, status printout	Fonts list                      Test grid Device overview              Label profile WLAN status                  Monitor mode PPP status
Status reports	- Printout of device settings, for example print lengths and running times - Device status request via software command - Display information of, for example, network error, missing link, barcode error, etc.
Fonts	
Font types internally provided	5 bitmap fonts:              3 vector fonts: 12 x 12 dots                  Swiss 721 16 x 16 dots                  Swiss 721 Bold 16 x 32 dots                  Monospace 821 OCR-A OCR-B
to be stored	TrueType fonts
Character sets	Windows-1250 to -1257 DOS 437, 737, 775, 850, 852, 857, 862, 864, 866, 869 EBC DIC 500 ISO 8859-1 to -10 and -13 to -16 WinOEM 720 UTF-8 MacRoman DEC MCS K018-R  Western European      Cyrillic Eastern European      Greek Chinesisch simplified   Latin Thai                        Hebrew Arabic
Bitmap fonts	Size in width and height 1 - 3 mm Zoom factor 2 to 10 Orientations 0°, 90°, 180°, 270°
Vector / TrueType fonts	Size in width and height 0.9 - 128 mm Variable zoom Orientation 360° in steps of 1°
Font styles	Bold, italic, underlined, outline, inverse - depending from the font type
Character spacing	variable

Graphics	
Graphic elements	Lines, arrows, rectangles, circles, ellipses; filled and filled with fading
Graphic formats	PCX, IMG, BMP, TIF, MAC, GIF, PNG
Barcodes	
Linear	Code 39, Code 93      Interleaved 2/5 Code 39 Full ASCII    Ident and routing code Code 128 A, B, C      of Deutsche Post EAN 8, 13                Codabar EAN/UCC 128/GS1-128 JAN 8, 13 EAN/UPC Appendix 2   MSI EAN/UPC Appendix 5   Plessey FIM                        Postnet HIBC                      RSS 14 UPC A, E, E0
2D and stacked	DataMatrix EAN-DataMatrix QR code PDF 417 Micro PDF 417 GS1 Data Bar Aztec Codablock F UPS Maxicode RSS 14 truncated, limited, stacked, stacked omni-directional  All codes are variable as regards height, modular width and ratio; orientations 0°, 90°, 180°, 270°  optional check digit, plain text printout and start / stop code depending from the type of code
Software	
Label software	cablabel S3 Lite              ■ cablabel S3 Viewer        ■ cablabel S3 Pro             □ cablabel S3 Print           □
Running also with	CODESOFT NiceLabel BarTender
Stand-alone operation	■
WHQL certified Windows printer drivers for	Windows Vista              Server 2008 Windows 7                    Server 2008 R2 Windows 8                    Server 2012 Windows 8.1                  Server 2012 R2 Windows 10                   Server 2016 Server 2019
Apple Mac OS X printer drivers <sup>3)</sup>	from version 10.6            ■
Linux printer drivers <sup>3)</sup>	from CUPS 1.2                ■
Programming	Printer language JScript    ■ abc Basic Compiler           ■
Integration	SAP                              ■ Database Connector         ■
Administration	Printer control                ■ Configuration in Intranet and Internet ■ Network Manager            ■

<sup>3)</sup> only with label printer A8+

## DE KONINGH

 CODING · LABELING · INSPECTION

Postbus 137, 6920 AC Duiven

Geograaf 8, 6921 E W Duiven

T: +31 (0)26 741 00 00

F: +31 (0)26 741 00 99

info@dekoningh.nl - www.dekoningh.nl